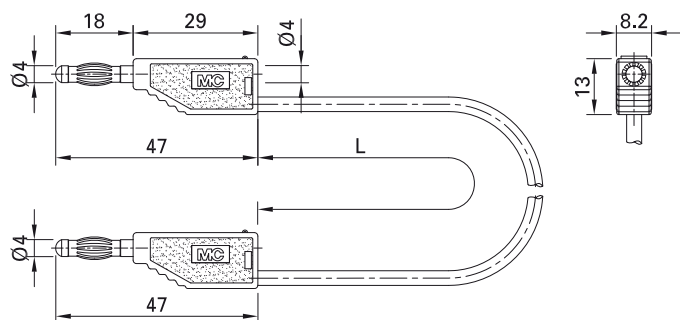


## Test Lead LK4...X

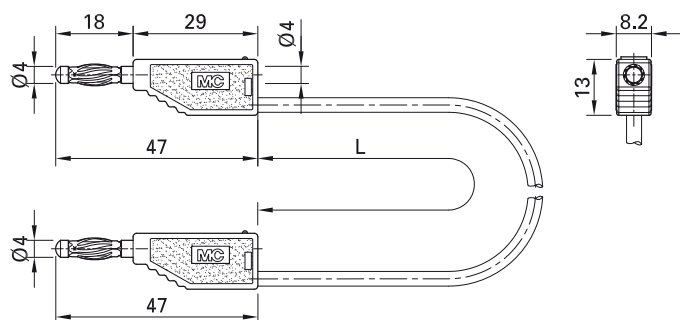
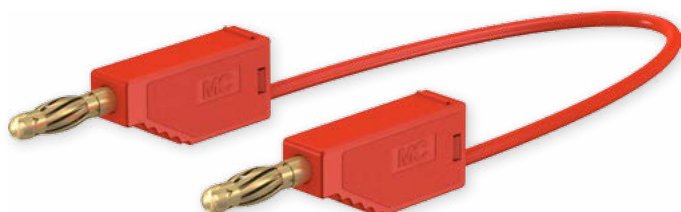
Highly flexible, with stackable Ø 4 mm MULTILAM plugs on both ends.



Order No.	Type	Rated voltage/current	Lead		Lead lengths L [cm]	*Colors
28.0116-□*	LK410-X	30 VAC / 19 A 60 VDC / 19 A	PVC 1.0 mm <sup>2</sup>	Ni	025 050 075 100 150 200	20 21 22 23 24 25 26 27 29
28.0119-□*	LK425-A/X	30 VAC / 32 A 60 VDC / 32 A	PVC 2.5 mm <sup>2</sup>	Ni	025 050 075 100 150 200	20 21 22 23 24 25 26 27 29

## Test Lead LK4...

Highly flexible, with stackable Ø 4 mm MULTILAM plugs on both ends.



Order No.	Type	Rated voltage/current	Lead		Lead lengths L [cm]	*Colors
28.0060-□*	LK410	30 VAC / 19 A 60 VDC / 19 A	PVC 1.0 mm <sup>2</sup>	Au	025 050 075 100 150 200	20 21 22 23 24 25 26 27 28 29
28.0061-□*	LK410/SIL	30 VAC / 19 A 60 VDC / 19 A	SIL 1.0 mm <sup>2</sup>	Au	025 050 075 100 150 200	21 22 23 24 25 26
28.0073-□*	LK425-A	30 VAC / 32 A 60 VDC / 32 A	PVC 2.5 mm <sup>2</sup>	Au	025 050 075 100 150 200	20 21 22 23 24 25 26 27 28 29
28.0074-□*	LK425-A/SIL	30 VAC / 32 A 60 VDC / 32 A	SIL 2.5 mm <sup>2</sup>	Au	025 050 075 100 150 200	21 22 23 24 25