

High Performance dual-stage IEC C14 inlet filter with earth line choke



- Rated currents up to 15 A
- Excellent performance/size ratio
- Earth line choke Version
- IEC C14 inlet acc. IEC 60320-1
- Medical versions (B type) acc. to IEC/EN 60601-1
- Snap-in and rear mount versions (S and M type)



Approvals



RoHS

The FN9255 E IEC inlet filter incorporates a dual stage filter with Earth line choke into an IEC inlet that offers excellent filter attenuation in a compact housing. Using an IEC inlet, at the point of entry offers an optimized position and practical solution for integrating an EMC filter into any system. A wide selection of current ratings, output connections and mounting possibilities are available. The E Version of this family complies to medical application and safety requirements, with enhanced performance without added leakage current.

Technical specifications

Maximum continuous operating voltage	250 VAC, 50/60 Hz
Rated currents	2 to 15 A @ 40°C max.
Operating frequency	DC to 400 Hz
Approvals by rated current	ENEC and CQC: 2 to 10 A UL: 2 to 15A
High potential test voltage	P -> PE 2500 VAC for 2 sec P -> N 760 VAC for 2 sec
Protection category	IP 40 according to IEC 60529
Temperature range (operation and storage)	-25°C to +85°C (25/85/21)
Design corresponding to	UL 60939-3, IEC/EN 60939-3
Flammability according to	UL 94 V-0

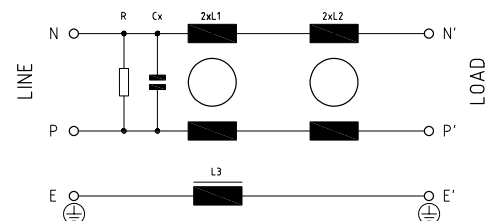
Features and benefits

- Exceptional attenuation performance from 150kHz to 300MHz due to dual-stage design
- High saturation resistance and excellent thermal behavior
- Medical versions (B type) comply with the requirements of IEC/EN 60601-1 for creepage and clearance, leakage current and high potential testing
- Suitable for IEC/EN 55014 tests up to 300MHz
- Rear and Front flange or snap-in mounting options
- Earth line choke Version, for standard version see FN 9255
- All versions according IEC/EN 62368-1

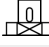

Typical applications

- Medical devices (MDD)
- Household and similar products as per IEC/EN55014
- Test and measurement equipment
- In-vitro diagnostic medical devices (IVDD)
- Portable electrical and electronic equipment
- Small to medium-sized machines and household equipment
- Single-phase power supplies, switch-mode power supplies (SMPS)

Typical electrical schematic



Filter selection table

Filter	Rated current @ 40°C [A]	Leakage current* @ 250 VAC/50 Hz (@ 120 VAC/60 Hz) [mA]	Inductance			Capacitance Cx [μF]	Resistance R [kΩ]	Output connections		[g]
			L1 [mH]	L2 [μH]	L3 [mH]					
FN 9255 ExB-2-06	2	-	4.8	18	0.4	0.1	1000	-06	-07	66
FN 9255 ExB-4-06	4	-	2.1	18	0.4	0.1	1000	-06	-07	66
FN 9255 ExB-6-06	6	-	0.9	18	0.4	0.1	1000	-06	-07	66
FN 9255 ExB-10-06	10	-	0.2	18	0.4	0.1	1000	-06	-07	68
FN 9255 ExB-15-06	15	-	0.13	8	0.1	0.1	1000	-06	-07	68

Test conditions: 25°C±2°C; Measuring frequency for Inductance: 1 kHz; 50 mV;

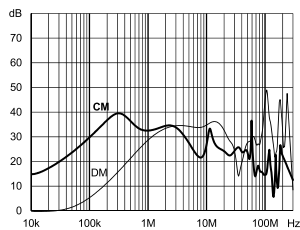
Tolerances: Inductance: +50%, -30%; Capacitance: ±25%; Resistor: ±15%; For mechanical tolerances refer to mechanical data section.

* Maximum leakage under normal operating conditions (acc. to IEC60939-3). Note: if the neutral line is interrupted, worst case leakage could reach twice this level.

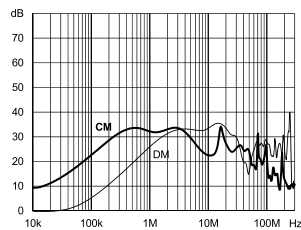
Typical filter attenuation

Per CISPR 17; symmetrical 50 Ω/50 Ω - Differential Mode (DM); asymmetrical 50 Ω/50 Ω - Common Mode (CM)

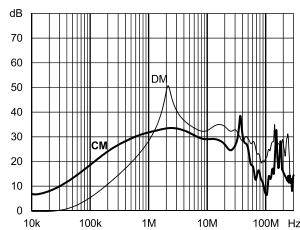
2 A type



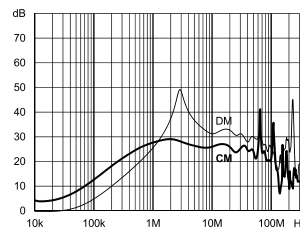
4 A type



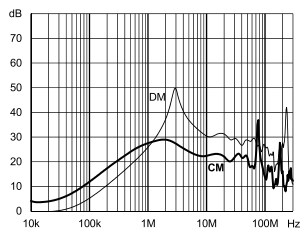
6 A type



10 A type



15 A type



Product selector

FN 9255 E x B -yy... -(zz)

- Blank: Snap-in range for S version only
- 20: Snap-in range 0.7 to 1.5 mm
- 06: Faston 6.3 x 0.8 mm (spade/soldering)
- 07: Wire leads
- 2 to 15: Rated current
- Blank: Standard housing with mounting flanges (front mount)
- M: Standard housing with mounting flanges (rear mount)
- S: Snap-in version, snapper on vertical side

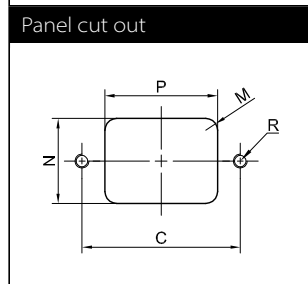
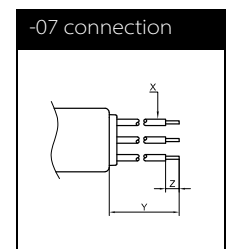
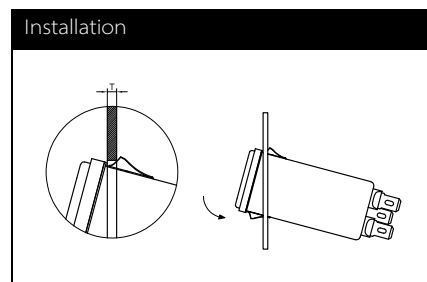
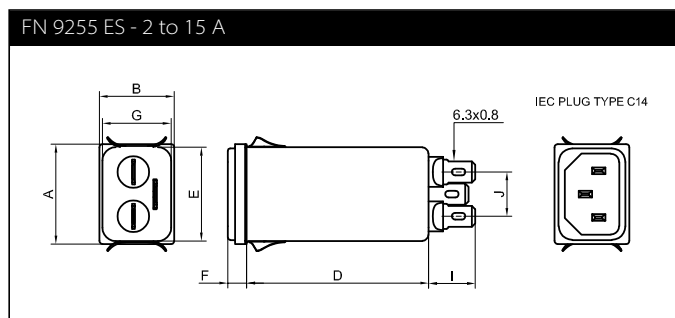
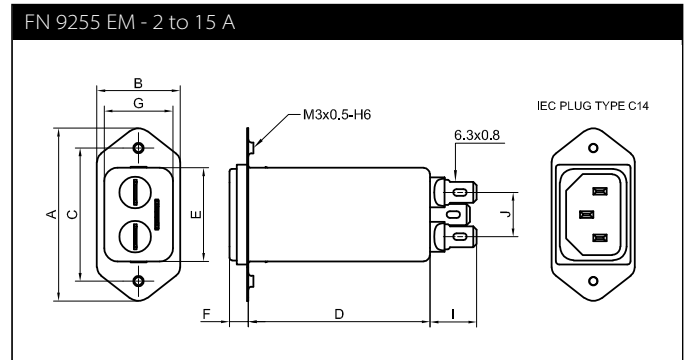
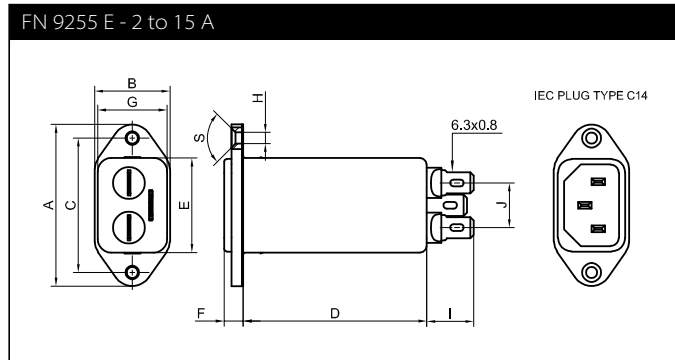
For example:

FN 9255 EB-15-06, 15A Version with fast-on terminals

FN 9255 ESB-10-06, 10A Version with fast-on terminals, snap-in version

FN 9255 EMB-2-07, 2A Version with wire leads, rear mount version

Mechanical data



Dimensions

	FN 9255 EB	FN9255 EMB	FN9255 ESB
A	48	51.85	29.9
B	22.4	25	22.4
C	40 ±0.2	40 ±0.2	
D	76.2	76.2	76.2
E	28.1 ±0.3	28.1 ±0.3	28.1 ±0.3
F	5.8 ±0.2	5.8 ±0.2	5.8 ±0.2
G	20.6 ±0.3	20.6 ±0.3	20.6 ±0.3
H	Ø3.3	M3	
I	14	14	14
J	13.3	13.3	13.3
M	R ≤ 3	R ≤ 1	R ≤ 1.5
N	21.5 +0.5/-0	22.9 +0.2/-0	21.5 +0.5/-0
P	28.5 +0.5/-0	30.4 +0.2/-0	29.4
R*	M3	Ø3.4	
S / T	S: 90°		T: 0.7 to 1.5
X / Y	AWG 18 / 100 mm (>6A: AWG 16)	AWG 18 / 100 mm (>6A: AWG 16)	AWG 18 / 100 mm (>6A: AWG 16)
Z	6	6	

* Recommended torque for M3 (90° countersunk flat head) is 0.5 Nm

All dimensions in mm; 1 inch = 25.4 mm

For values without dedicated tolerances ISO 2768-m/EN 22768-m applies.

Please visit www.schaffner.com to find more details on connectors.



Headquarters, global innovation and development

Switzerland

Schaffner Group

Nordstrasse 11
4542 Luterbach
T +41 32 681 66 26
info@schaffner.com
www.schaffner.com



Sales and application centers

China

Schaffner EMC Ltd. Shanghai

T20-3 C, No 565 Chuangye Road,
Pudong district
201201 Shanghai
T +86 21 3813 9500
cschina@schaffner.com
www.schaffner.com.cn

Finland

Schaffner Oy

Sauvonrinne 19 H
08500 Lohja
T +358 50 468 7284
finlandsales@schaffner.com

France

Schaffner EMC S.A.S.

16-20 Rue Louis Rameau
95875 Bezons
T +33 1 34 34 30 60
F +33 1 39 47 02 28
francesales@schaffner.com

Germany

Schaffner Deutschland GmbH

Schoemperlenstrasse 12B
76185 Karlsruhe
T +49 721 56910
F +49 721 569110
germanysales@schaffner.com

India

Schaffner India Pvt. Ltd

REGUS WORLD TRADE CENTRE
WTC, 22nd Floor Unit No 2238, Brigade
Gateway Campus, 26/1, Dr. Rajkumar Road
Mallechwaram (W)
560055 Bangalore
T +91 80 67935355
indiasales@schaffner.com

Italy

Schaffner EMC S.r.l.

Via Ticino, 30
20900 Monza (MB)
T +39 039 21 41 070
italysales@schaffner.com

Japan

Schaffner EMC K.K.

1-32-12, Kamiyama, Setagaya-ku
7F Mitsui-seimei Sangenjaya Bldg.
154-0011 Tokyo
T +81 3 5712 3650
F +81 3 5712 3651
japansales@schaffner.com
www.schaffner.jp

Singapore

Schaffner EMC Pte Ltd.

#05-09, Kg Ubi Ind. Estate
408705 Singapore
T +65 6377 3283
F +65 6377 3281
singaporesales@schaffner.com

Spain

Schaffner EMC España

Calle Caléndula 93, Miniparc III, Edificio E
El Soto de Moraleja, Alcobendas
28109 Madrid
T +34 917 912 900
F +34 917 912 901
spainsales@schaffner.com

Sweden

Schaffner EMC AB

Tegeluddsvägen 76, 2tr
115 28 Stockholm
T +46 8 5050 2425
swedensales@schaffner.com
www.schaffner.com

Switzerland

Schaffner EMV AG

Nordstrasse 11
4542 Luterbach
T +41 32 681 66 26
switzerlandsales@schaffner.com

Taiwan R.O.C.

Schaffner EMV Ltd.

20 Floor-2, No 97, Section 1, XinTai 5th Road
22175 XiZhi District New Taipei City 22175
T +886 2 2697 5500
F +886 2 2697 5533
taiwansales@schaffner.com
www.schaffner.com.tw

Thailand

Schaffner EMC Co. Ltd.

Northern Region Industrial Estate
67 Moo 4 Tambon Ban Klang
Amphur Muangng P.O. Box 14
51000 Lamphun
T +66 53 58 11 04
F +66 53 58 10 19
thailandsales@schaffner.com

United Kingdom

Schaffner Ltd.

5 Ashville Way, Molly Millars Lane
Wokingham
RG41 2PL Berkshire
T +44 118 9770070
F +44 118 9792969
uksales@schaffner.com

USA

Schaffner EMC Inc.

52 Mayfield Avenue
08837 Edison, New Jersey
T +1 800 367 5566
T +1 732 225 9533
F +1 732 225 4789
usasales@schaffner.com
www.schaffnerusa.com

Schaffner North America

6722 Thirlane Road
24019 Roanoke, Virginia
T +1 276 228 7943
F +1 276 228 7953

Schaffner North America

823 Fairview Road
24382 Wytheville, Virginia
T +1 276 228 7943
F +1 276 228 7258

To find your local partner within Schaffner's global network: www.schaffner.com

© 2018 Schaffner Group

The content of this document has been carefully checked and understood. However, neither Schaffner nor its subsidiaries assume any liability whatsoever for any errors or inaccuracies of this document and the consequences thereof. Published specifications are subject to change without notice. Product suitability for any area of application must ultimately be determined by the customer. In all cases, products must never be operated outside their published specifications. Schaffner does not guarantee the availability of all published products. This disclaimer shall be governed by substantive Swiss law and resulting disputes shall be settled by the courts at the place of business of Schaffner Holding AG. Latest publications and a complete disclaimer can be downloaded from the Schaffner website. All trademarks recognized.