

4

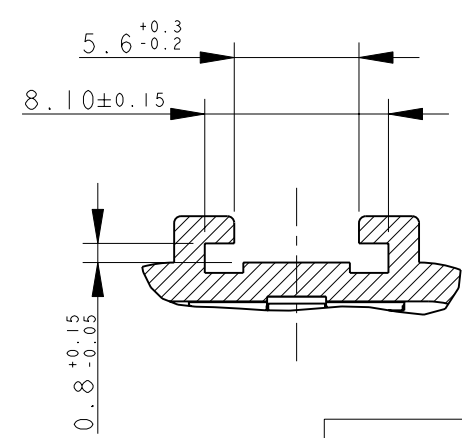
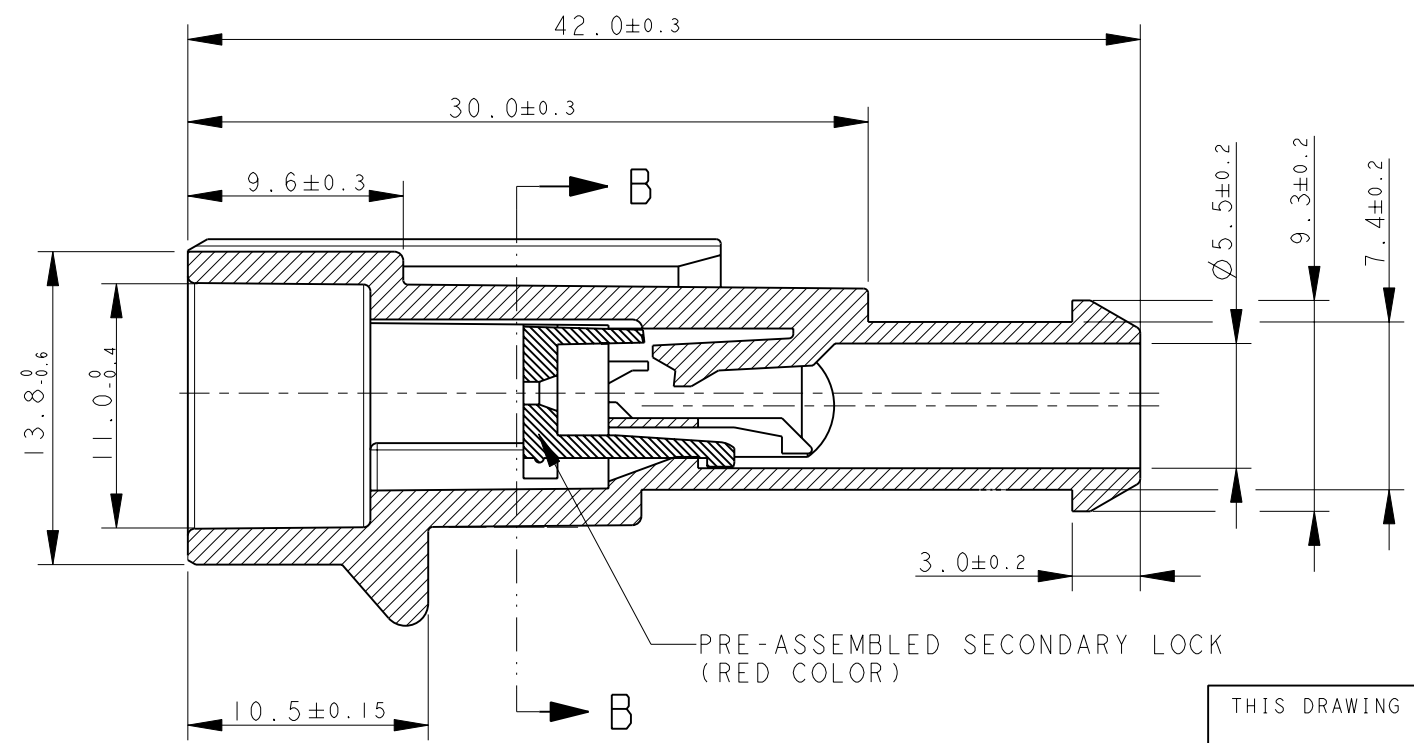
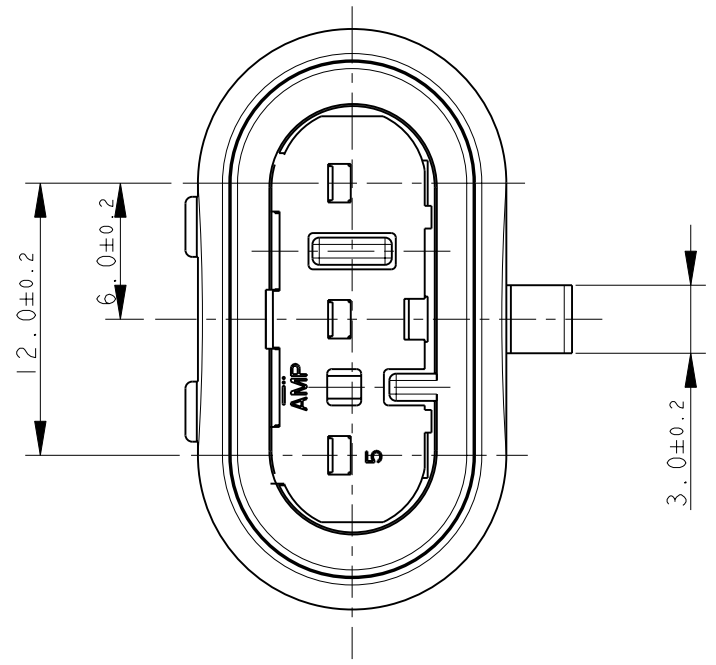
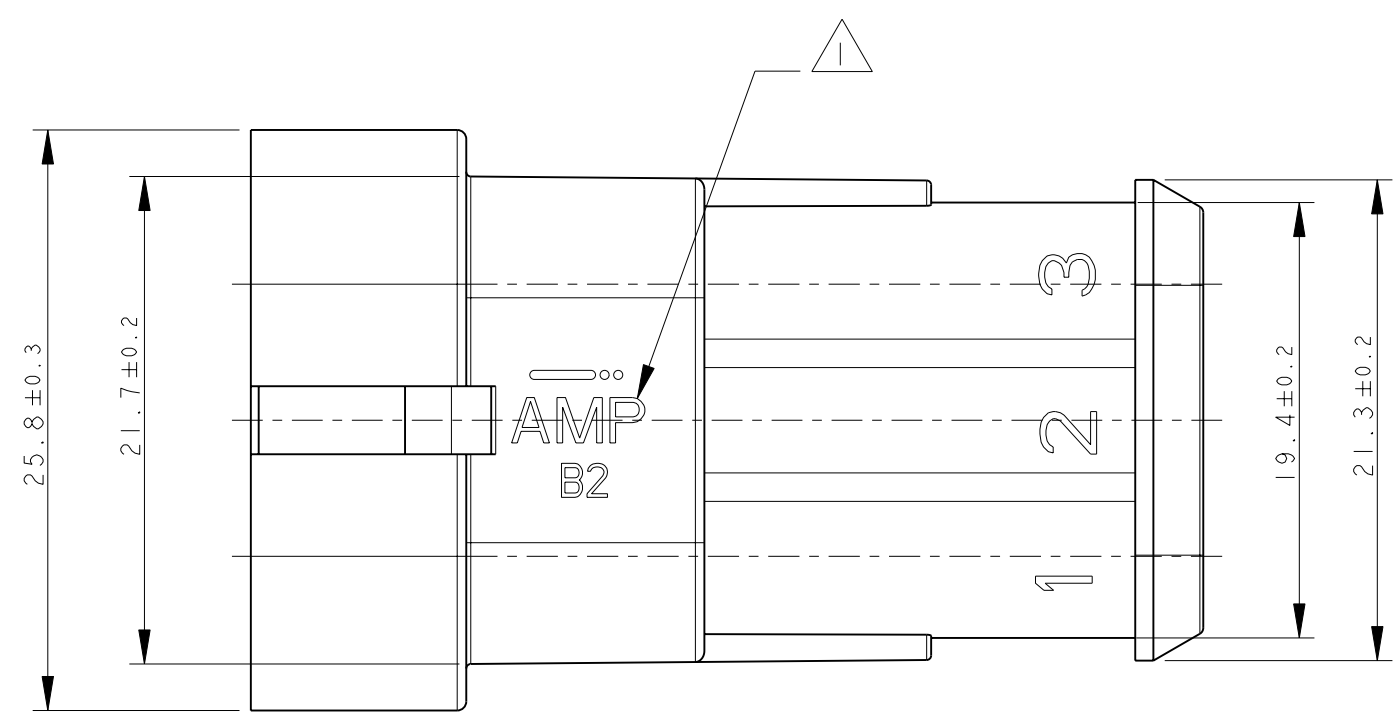
3

2

1

THIS DRAWING IS UNPUBLISHED. RELEASED FOR PUBLICATION 2009  
 © COPYRIGHT 2009 BY - ALL RIGHTS RESERVED.


LOC	DIST	REVISIONS			
P	LTR	DESCRIPTION	DATE	DWN	APVD
1	-	B1	REVISED PER ECO-11-005033	24MAR2011	RK HMR



PART SECTION B-B

GRAY	PA66-GF	282105-2
BLACK	PA66-GF	282105-1
FINISH/COLOR	MATERIAL	PART NUMBER

LOGO "AMP" O, IN ALTERNATIVA, LOGO TYCO ELECTRONICS ("AMP" TRADE MARK OR, IN ALTERNATIVE, TE CONNECTIVITY TRADE MARK)

THIS DRAWING IS A CONTROLLED DOCUMENT.		DWN C. BERTINI 02-1990	 TE Connectivity	
DIMENSIONS: mm		CHK A. BRUNI 02-1990		
TOLERANCES UNLESS OTHERWISE SPECIFIED:		APVD -	NAME AMP SUPERSEAL 1.5 SRS. 3 POSITIONS TAB ASS'Y	
0 PLC ±-		PRODUCT SPEC 108-20090	SIZE A300779	
1 PLC ±0.3		APPLICATION SPEC -	CAGE CODE C-282105	DRAWING NO -
2 PLC ±-		WEIGHT -	RESTRICTED TO -	
3 PLC ±-		CUSTOMER DRAWING		
4 PLC ±-		SCALE 3:1		
ANGLES ±2°		SHEET 1 OF 1		
FINISH -		REV B1		