

15 KLBM 3

Jack connectors



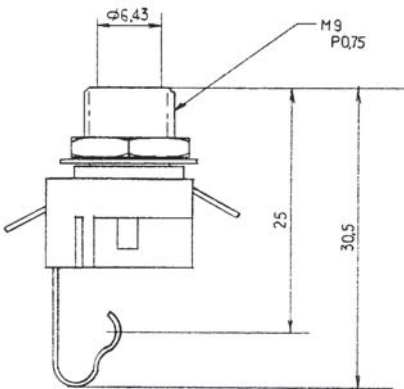
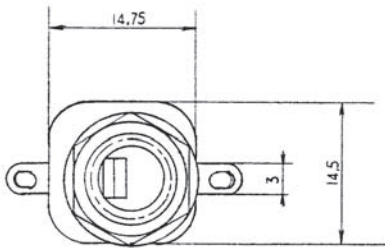
Jack chassis socket acc. to JIS C 6560 JC63J2A, 6.35 mm, 2 poles/mono, with solder eyes, for back side mounting

---

State: Active

---

15 KLBM 3



**Environmental conditions**

Temperature range -20 °C/+70 °C

**Materials**

Insulating body	PC, V-2 according to UL94
Contact	Cu alloy, nickel-plated
Hexagonal nut	steel, nickel-plated
Washer	steel, nickel-plated

**Mechanical data**

Mating cycles	≥ 5000
Insertion force	5–40 N
Withdrawal force	5–40 N

**Electrical data (at T<sub>amb</sub> 20 °C)**

Contact resistance	≤ 30 mΩ
Rated current	2 A
Rated voltage	34 V AC/DC
Rated impulse voltage	250 V/60 s
Insulation resistance	≥ 50 MΩ

**Associated products**

Counterparts  
☑ KLSM 3

15

KLBM 3

Designation	Pole Number	PU (Pieces)	MDQ (Pieces)
KLBM 3	2	100	500

**Packaging:**

in bulk, in a cardboard box or a plastic bag