

**Description: XVI-H03VVH2F2x075-C7/1, 80M BLACK**

**L36**

Rating of cord set: 2,5A/250Vac

**1. PLUG: Type XVI**

Molded plug according to : EN50075  
Rated current and voltage : 2,5A, 250 V AC  
Plugbase : PA GFR  
Constructions : double insulation, contacts crimped  
Pins : Brass, Nickel-plated, parts-sleeved  
Pins outer diameter : 4 mm  
Outer mold : PVC compound, hardness Shore A75-77  
Approvals : ENEC

**2. CORD: Type H03VVH2F2X0,75 mm<sup>2</sup>**

Flexible cord according to : ÖVE K41a, HD 21.S2; AS3191  
Marked : \*JF\*<ÖVE><HAR>H03VVH2F2X0,75\*N1095\*CE  
Number of cores : 2  
Conductor construction : 23x0,2 mm O.D. 1,10mm  
Conductor insulation : Extruded PVC, O.D. 2,10mm  
Jacket : Extruded PVC, 3,30 mm x 5,40mm +/-0,20mm  
Electrical resistance of conductors : max.26 Ω/km  
Dielectric strength : 2kVac, 1min.  
Insulation resistance : >0,010 MΩ/km  
Color of conductors : brown, blue  
Approvals : HARMONIZED, ÖVE

**3. CONNECTOR: Type C7**

Molded connector according to : EN/IEC60320/C7  
Rated current and voltage : 2,5 A, 250 V AC  
Construction : double insulation  
Contacts of the connection : phosphor bronze CuSn6, crimped  
Inner insulation : PPO GFR  
Outer mold : PVC compound, hardness Shore A 75-77  
Approvals : CE, ENEC

**Environmental conformity** : EU-Directive 2002/96/EC (WEEE)  
EU-Directive 2011/65/EU  
EU-Directive 1907/2006 EG (REACH -compliant)

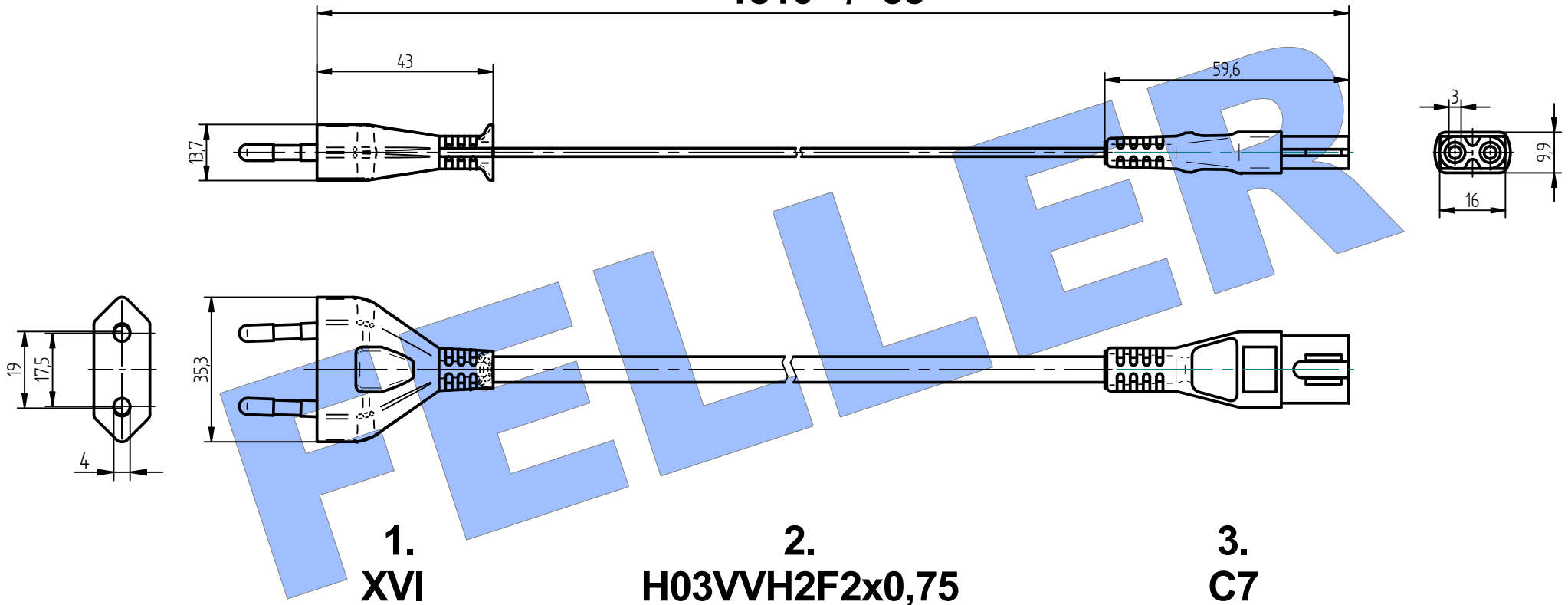
**TESTING**

Electrical testing : 100%  
Visual inspection : 100%  
High pot test wire to wire : 3kVac for 2 sec.  
Polarity test : yes  
Skin high pot test : 6kVac line to skin

design subject to change without prior notice

DATE of ISSUE:	November, 2015		
REV: 9	1	ORIG:	lg

1810 +/- 35



1.  
XVI

2.  
H03VVH2F2x0,75

3.  
C7

Feller Type: XVI-H03VVH2F2X075-C7/1,80M SW9005 L36

P/N:

All dimensions in mm

13.11.2015

TK

RoHS compliant

**FELLER** 

A-2525 Günselsdorf, Austria

Telefon 0043-2256-62325-0

Fax: 0043-2256-62325-7

email: [sales@feller-at.com](mailto:sales@feller-at.com)

<http://www.feller-at.com>