

61291-1 ✓ ACTIVE

AMP-IN

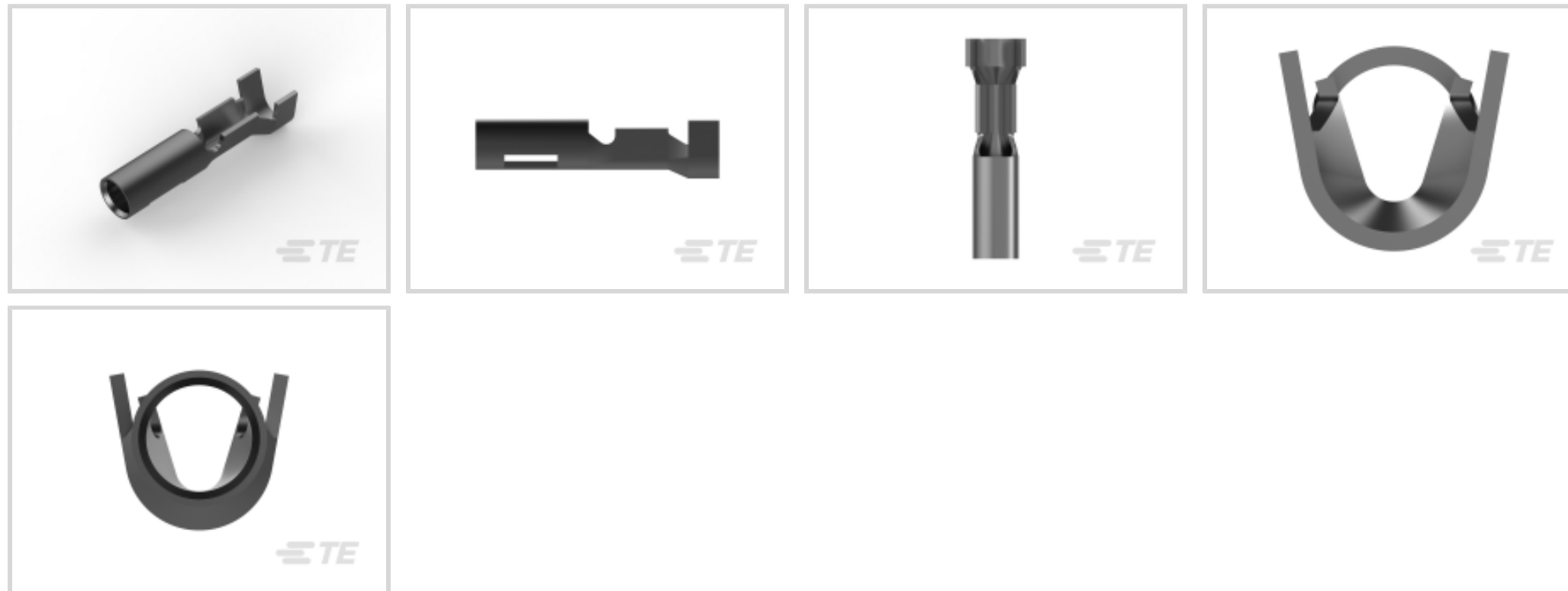
TE Internal #: 61291-1

PCB Terminals, Receptacle, Receptacle, PCB Hole Diameter 3.3 mm [.13 in], Mating Pin Diameter .093 in [2.36 mm]

[View on TE.com >](#)



Connectors > PCB Connectors > Wire-to-Board Connectors > PCB Terminals



Terminal & Splice Type: **Receptacle**

Terminal Type: **Receptacle**

PCB Hole Diameter: **3.3 mm [.13 in]**

Mating Pin Diameter: **2.36 mm [.093 in]**

Wire Insulation Diameter (Max): **2.79 mm [.11 in]**

### Features

#### Product Type Features

Mounting Style	Stud Mount
Terminates To	Wire & Cable

#### Configuration Features

Stud Hole	No
Terminal Angle	Straight

#### Body Features

Plating Material	Pre-Tin
------------------	---------

#### Contact Features

Contact Plating Material	Tin
Terminal & Splice Type	Receptacle
Terminal Type	Receptacle
Mating Pin Diameter	2.36 mm [.093 in]
Terminal Orientation	Straight

#### Termination Features



Termination Method	Crimp
--------------------	-------

### Mechanical Attachment

Wire Insulation Support	With
-------------------------	------

### Dimensions

PCB Hole Diameter	3.3 mm [.13 in]
Wire Insulation Diameter (Max)	2.79 mm [.11 in]
Accepts Wire Insulation Diameter Range	1.52 – 2.79 mm [.06 – .11 in]
Wire Size	.3 – .9 mm <sup>2</sup>
Receptacle Terminal Stock Thickness	.3 mm [.012 in]

### Usage Conditions

Operating Temperature Range	-55 – 105 °C [-67 – 221 °F]
-----------------------------	-----------------------------

### Packaging Features

Packaging Quantity	7000
Packaging Method	Reel

### Product Compliance

[For compliance documentation, visit the product page on TE.com>](#)

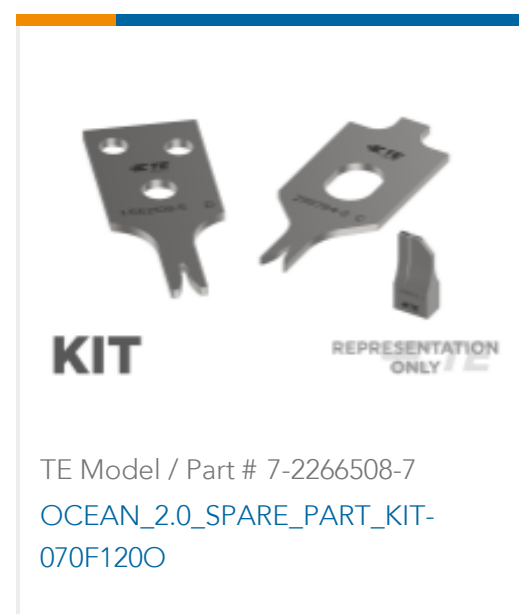
EU RoHS Directive 2011/65/EU	Compliant
EU ELV Directive 2000/53/EC	Compliant
China RoHS 2 Directive MIIT Order No 32, 2016	No Restricted Materials Above Threshold
EU REACH Regulation (EC) No. 1907/2006	Current ECHA Candidate List: JAN 2020 (205) Candidate List Declared Against: JUL 2019 (201) Does not contain REACH SVHC
EU REACH Regulation (EC) No. 1907/2006	Current ECHA Candidate List: JAN 2020 (205) Candidate List Declared Against: JUL 2019 (201)
Halogen Content	Low Halogen - Br, Cl, F, I < 900 ppm per homogenous material. Also BFR/CFR/PVC Free
Solder Process Capability	Not applicable for solder process capability

#### Product Compliance Disclaimer

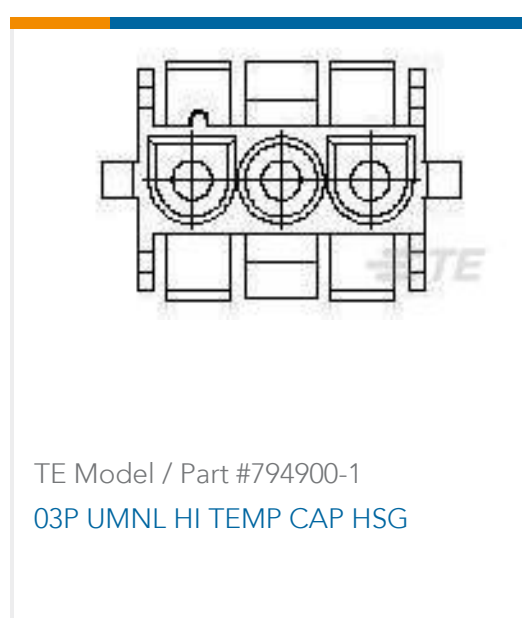
This information is provided based on reasonable inquiry of our suppliers and represents our current actual knowledge based on the information they provided. This information is subject to change. The part numbers that TE has identified as

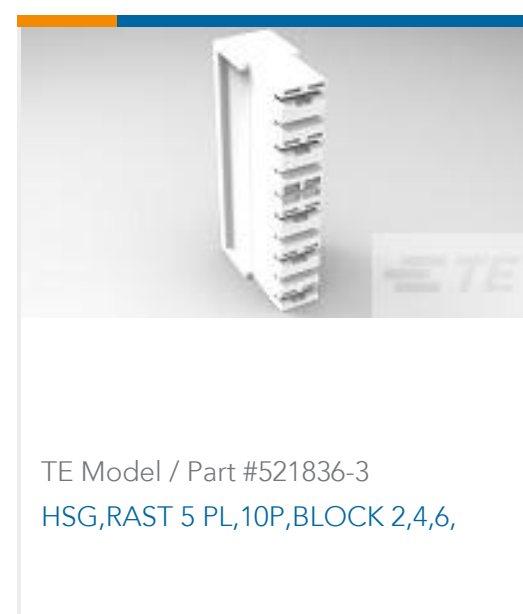
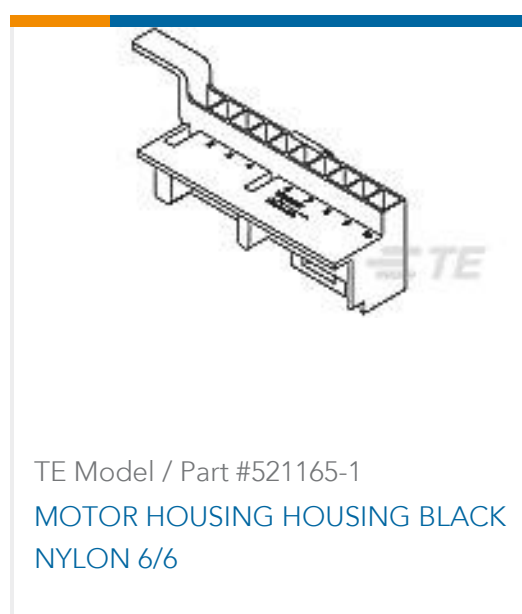
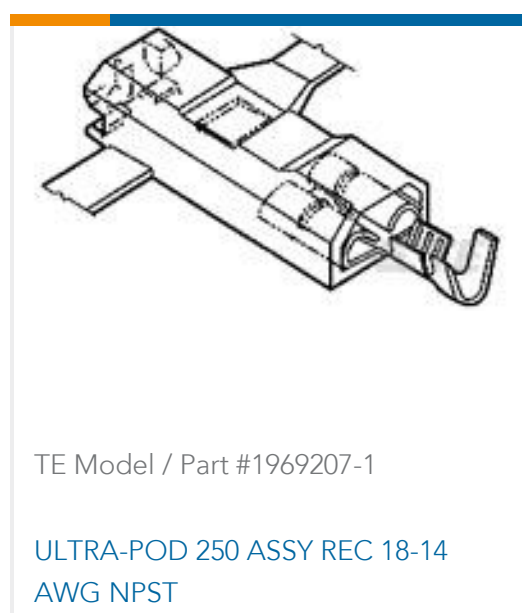
EU RoHS compliant have a maximum concentration of 0.1% by weight in homogenous materials for lead, hexavalent chromium, mercury, PBB, PBDE, DBP, BBP, DEHP, DIBP, and 0.01% for cadmium, or qualify for an exemption to these limits as defined in the Annexes of Directive 2011/65/EU (RoHS2). Finished electrical and electronic equipment products will be CE marked as required by Directive 2011/65/EU. Components may not be CE marked. Additionally, the part numbers that TE has identified as EU ELV compliant have a maximum concentration of 0.1% by weight in homogenous materials for lead, hexavalent chromium, and mercury, and 0.01% for cadmium, or qualify for an exemption to these limits as defined in the Annexes of Directive 2000/53/EC (ELV). Regarding the REACH Regulations, TE's information on SVHC in articles for this part number is still based on the European Chemical Agency (ECHA) 'Guidance on requirements for substances in articles' (Version: 2, April 2011), applying the 0.1% weight on weight concentration threshold at the finished product level. TE is aware of the European Court of Justice ruling of September 10th, 2015 also known as O5A (Once An Article Always An Article) stating that, in case of 'complex object', the threshold for a SVHC must be applied to both the product as a whole and simultaneously to each of the articles forming part of its composition. TE has evaluated this ruling based on the new ECHA "Guidance on requirements for substances in articles" (June 2017, version 4.0) and will be updating its statements accordingly.

## Compatible Parts



## Customers Also Bought





## Documents

### Product Drawings

[RECPT .093 DIA 22-18 PTPPHBRZ](#)

English

### CAD Files

Customer View Model

[ENG\\_CVM\\_61291-1\\_L.3d\\_igs.zip](#)

English

Customer View Model

[ENG\\_CVM\\_61291-1\\_L.3d\\_stp.zip](#)

English

Customer View Model

[ENG\\_CVM\\_61291-1\\_L.2d\\_dxf.zip](#)

English

### 3D PDF

English

By downloading the CAD file I accept and agree to the [Terms and Conditions](#) of use.

### Datasheets & Catalog Pages

[PRINTED CIRCUIT BOARD TERMINALS AND DISCONNECTS](#)

English

### Product Specifications

[Application Specification](#)

English

### Product Environmental Compliance

[MD\\_61291-1\\_11302015043\\_dmtec](#)

61291-1

PCB Terminals, Receptacle, Receptacle, PCB Hole Diameter 3.3 mm [.13 in], Mating  
Pin Diameter .093 in [2.36 mm]



English

[MD\\_61291-1\\_11302015043\\_dmtec](#)

English