

63895-1 ✓ ACTIVE

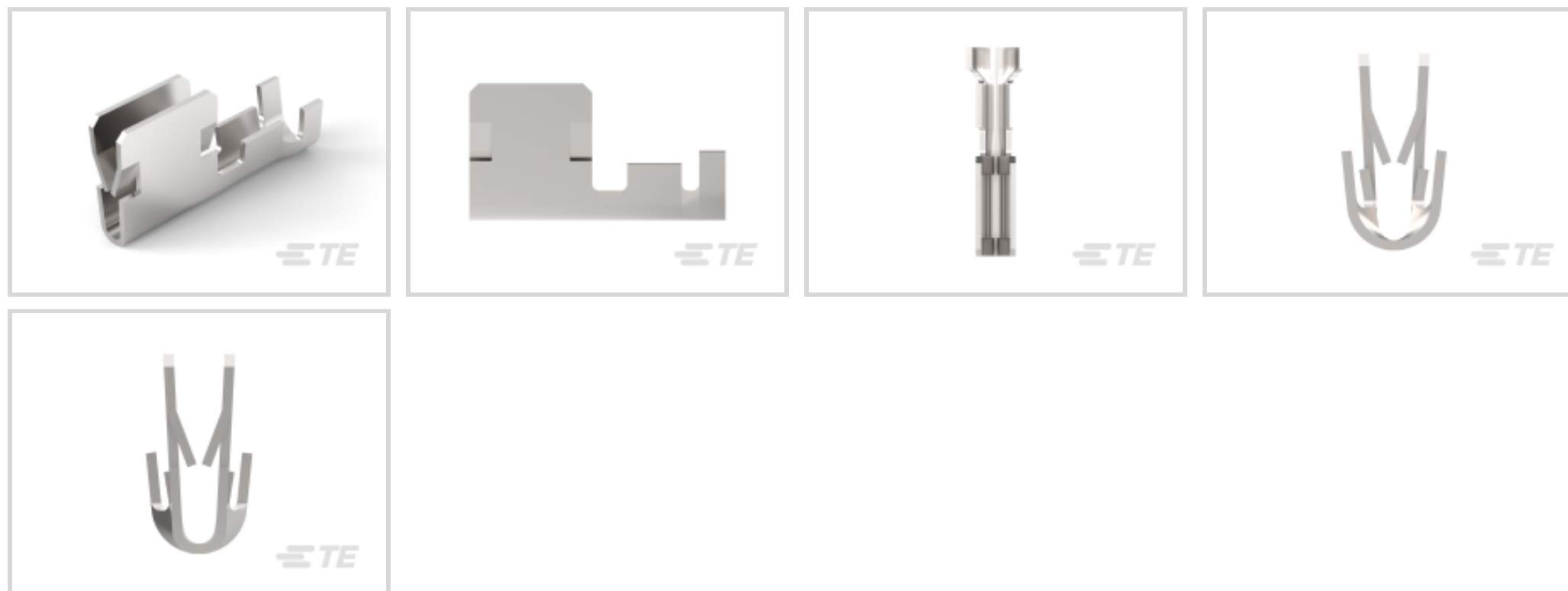
TE Internal #: 63895-1

Special Purpose Terminals, Grounding Clip, 18 – 14 AWG, .8 – 2 mm<sup>2</sup>, Unplated, Overall Length 18.54 mm [.73 in], Reel, Wire Insulation Support

[View on TE.com >](#)



Terminals & Splices > Special Purpose Terminals



Terminal Type: **Grounding Clip**

Wire Size: **.8 – 2 mm<sup>2</sup>**

Plating Material: **Unplated**

Overall Length: **18.54 mm [.73 in]**

## Features

### Product Type Features

Wire/Cable Type	Discrete Wire
Sealable	No
Insulated	No

### Body Features

Plating Material	Unplated
------------------	----------

### Contact Features

Terminal Type	Grounding Clip
Terminal Orientation	Straight

### Mechanical Attachment

Wire Insulation Support	With
-------------------------	------

### Dimensions

Wire Size	.8 – 2 mm <sup>2</sup>
Overall Length	18.54 mm [.73 in]
Wire Insulation Diameter (Max)	3.17 mm [.125 in]
Accepts Wire Insulation Diameter Range	2.29 – 3.18 mm [.9 – .125 in]



## Packaging Features

Packaging Quantity	5000
Packaging Method	Reel

## Product Compliance

[For compliance documentation, visit the product page on TE.com>](#)

EU RoHS Directive 2011/65/EU	Compliant
EU ELV Directive 2000/53/EC	Compliant
China RoHS 2 Directive MIIT Order No 32, 2016	No Restricted Materials Above Threshold
EU REACH Regulation (EC) No. 1907/2006	Current ECHA Candidate List: JAN 2020 (205) Candidate List Declared Against: JUL 2019 (201) Does not contain REACH SVHC
EU REACH Regulation (EC) No. 1907/2006	Current ECHA Candidate List: JAN 2020 (205) Candidate List Declared Against: JUL 2019 (201)
Halogen Content	Low Halogen - Br, Cl, F, I < 900 ppm per homogenous material. Also BFR/CFR/PVC Free
Solder Process Capability	Not applicable for solder process capability

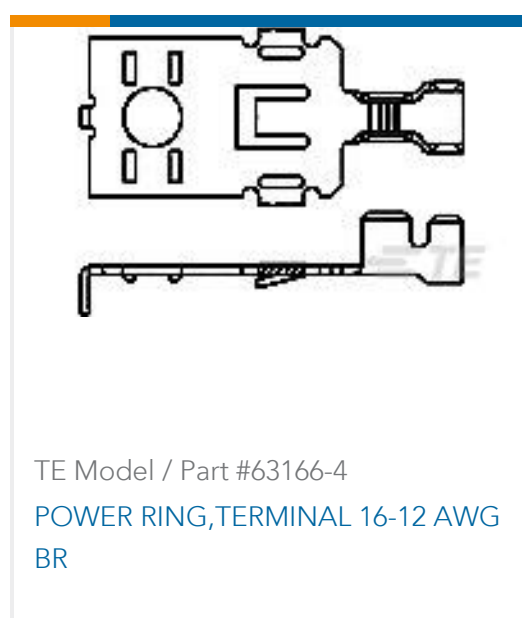
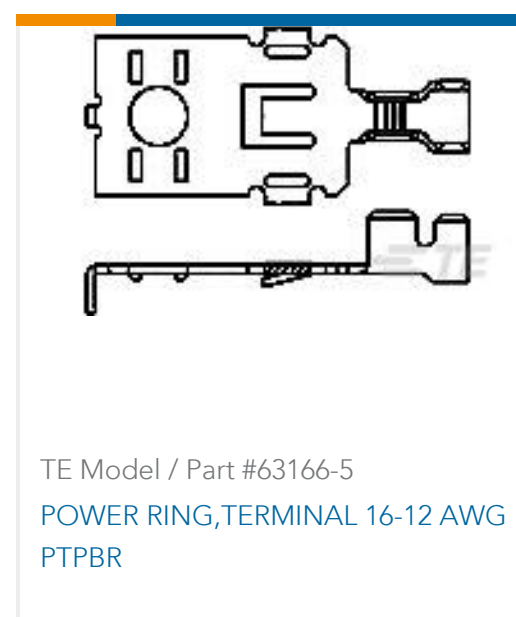
### Product Compliance Disclaimer

This information is provided based on reasonable inquiry of our suppliers and represents our current actual knowledge based on the information they provided. This information is subject to change. The part numbers that TE has identified as EU RoHS compliant have a maximum concentration of 0.1% by weight in homogenous materials for lead, hexavalent chromium, mercury, PBB, PBDE, DBP, BBP, DEHP, DIBP, and 0.01% for cadmium, or qualify for an exemption to these limits as defined in the Annexes of Directive 2011/65/EU (RoHS2). Finished electrical and electronic equipment products will be CE marked as required by Directive 2011/65/EU. Components may not be CE marked. Additionally, the part numbers that TE has identified as EU ELV compliant have a maximum concentration of 0.1% by weight in homogenous materials for lead, hexavalent chromium, and mercury, and 0.01% for cadmium, or qualify for an exemption to these limits as defined in the Annexes of Directive 2000/53/EC (ELV). Regarding the REACH Regulations, TE's information on SVHC in articles for this part number is still based on the European Chemical Agency (ECHA) 'Guidance on requirements for substances in articles' (Version: 2, April 2011), applying the 0.1% weight on weight concentration threshold at the finished product level. TE is aware of the European Court of Justice ruling of September 10th, 2015 also known as O5A (Once An Article Always An Article) stating that, in case of 'complex object', the threshold for a SVHC must be applied to both the product as a whole and simultaneously to each of the articles forming part of its composition. TE has evaluated this ruling based on the new ECHA "Guidance on requirements for substances in articles" (June 2017, version 4.0) and will be updating its statements accordingly.

## Compatible Parts



## Customers Also Bought



## Documents

### Product Drawings

GROUND CLIP 14-18AWG ST

English

### CAD Files

3D PDF

3D

Customer View Model

ENG\_CVM\_CVM\_63895-1\_H.2d\_dxf.zip



English

**Customer View Model**

[ENG\\_CVM\\_CVM\\_63895-1\\_H.3d\\_igs.zip](#)

English

**Customer View Model**

[ENG\\_CVM\\_CVM\\_63895-1\\_H.3d\\_stp.zip](#)

English

By downloading the CAD file I accept and agree to the [Terms and Conditions](#) of use.

---

**Product Specifications**

**Application Specification**

English

---

**Product Environmental Compliance**

[MD\\_63895-1\\_03052018432\\_dmtec](#)

English

[MD\\_63895-1\\_03052018432\\_dmtec](#)

English

---

**Agency Approvals**

**UL**

English