

# Compact filtered power entry module



- Complies with IEC/EN 60601-1
- Rated currents up to 10 A
- Single or dual-fuse holder
- Fuses Ø5 x 20 mm
- 2-pole rocker switch
- General purpose application
- Optional earth line choke (E type)
- Optional medical versions (B type)



### Performance indicators

Attenuation performance



Rated current [A]



## Technical specifications

<b>Maximum continuous operating voltage</b>	250 V, 50/60 Hz
<b>Operating frequency</b>	DC to 400 Hz
<b>Rated currents</b>	1 to 10 A @ 40°C max.
<b>High potential test voltage</b>	P → PE 2000 VAC for 2 sec (standard types) P → PE 2500 VAC for 2 sec (B types) P → N 760 VAC for 2 sec
<b>Protection category</b>	IP 40 according to IEC 60529
<b>Temperature range (operation and storage)</b>	-25°C to +85°C (25/85/21)
<b>Design corresponding to</b>	UL 1283, CSA 22.2 No. 8 1986, IEC/EN 60939
<b>Flammability corresponding to</b>	UL 94 V-2 or better
<b>MTBF @ 40°C/230 V (Mil-HB-217F)</b>	1,500,000 hours
<b>Fuse holder</b>	1 or 2 fuses (Ø5 x 20 mm) (certified to IEC 60127-6)
<b>Marking</b>	max. 250 V ~ (text is print. below fuse symbol)
<b>Rocker switch description</b>	
<b>Function</b>	2-pole, dark not illuminated Marking I - 0
<b>Electrical specifications</b>	Inrush current 82 A 6,000 on-off operations according to UL 1054, TV5 10,000 on-off operations according to ENEC
<b>Switch ratings</b>	
<b>USA (UL) and Canada (C-UL)</b>	10 A, 125 VAC; 10 A, 250 VAC; 1/3 HP
<b>Europe (ENEC)</b>	10 A (4 A), 250 VAC*
<b>Mechanical life</b>	50,000 cycles

\* Value in () relates to the inductive current charge:  $\cos\phi = 0.65$

## Approvals & Compliances



(CQC except HI-types)

The FN 280 power entry module combines an IEC inlet, a mains filter with single or dual-fuse holder and a 2-pole rocker switch in a small form factor. Choosing FN 280 product line brings you the rapid availability of a standard filter associated with the necessary safety acceptances. Standard IEC connector filters are a practical solution helping you to pass EMI system approval in a short time. A wide selection on amperage ratings, fuse options, mounting possibilities and filters for medical applications are designed to offer you the desired solution.

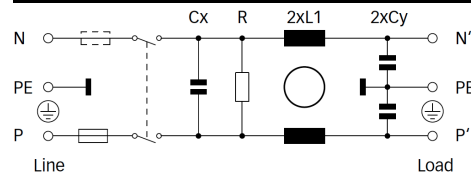
## Features and benefits

- High conducted attenuation performance, based on chokes with high saturation resistance and excellent thermal behavior
- Rear/front or snap-in mounting
- Single or dual-fuse holder
- 2-pole rocker switch
- Custom-specific versions are available on request

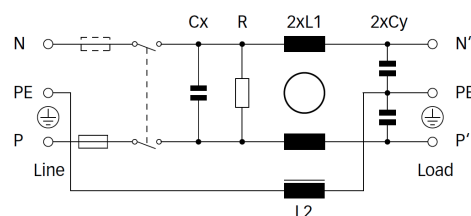
## Typical applications

- Portable electrical and electronic equipment
- Consumer goods
- EDP and office equipment
- Single-phase power supplies, switch-mode power supplies
- Test and measurement equipment
- Medical equipment

### Typical electrical schematic



### E types



## Filter selection table

	Rated current @ 40°C (25°C) [A]	Leakage current* @ 230 VAC/50 Hz [µA]	Inductance**		Capacitance**		Resistance** R [kΩ]	Output connections	Fuses*** [Qty]	Weight [g]
			L1 [mH]	L2 [mH]	Cx [nF]	Cy [nF]				
<b>FN 281-1-06</b>	1 (1.2)	373	7.5		220	2.2	1000	-06	1	90
<b>FN 281-2-06</b>	2 (2.4)	373	2		220	2.2	1000	-06	1	90
<b>FN 281-4-06</b>	4 (4.8)	373	1		220	2.2	1000	-06	1	90
<b>FN 281-6-06</b>	6 (7.2)	373	0.45		220	2.2	1000	-06	1	90
<b>FN 281-10-06</b>	10 (11.6)	373	0.34		220	2.2	1000	-06	1	90
<b>FN 282-1-06</b>	1 (1.2)	373	7.5		220	2.2	1000	-06	2	90
<b>FN 282-2-06</b>	2 (2.4)	373	2		220	2.2	1000	-06	2	90
<b>FN 282-4-06</b>	4 (4.8)	373	1		220	2.2	1000	-06	2	90
<b>FN 282-6-06</b>	6 (7.2)	373	0.45		220	2.2	1000	-06	2	90
<b>FN 282-10-06</b>	10 (11.6)	373	0.34		220	2.2	1000	-06	2	90
<b>FN 283-1-06</b>	1 (1.2)	373	7.5		220	2.2	1000	-06	1	90
<b>FN 283-2-06</b>	2 (2.4)	373	2		220	2.2	1000	-06	1	90
<b>FN 283-4-06</b>	4 (4.8)	373	1		220	2.2	1000	-06	1	90
<b>FN 283-6-06</b>	6 (7.2)	373	0.45		220	2.2	1000	-06	1	90
<b>FN 283-10-06</b>	10 (11.6)	373	0.34		220	2.2	1000	-06	1	90
<b>FN 284-1-06</b>	1 (1.2)	373	7.5		220	2.2	1000	-06	2	90
<b>FN 284-2-06</b>	2 (2.4)	373	2		220	2.2	1000	-06	2	90
<b>FN 284-4-06</b>	4 (4.8)	373	1		220	2.2	1000	-06	2	90
<b>FN 284-6-06</b>	6 (7.2)	373	0.45		220	2.2	1000	-06	2	90
<b>FN 284-10-06</b>	10 (11.6)	373	0.34		220	2.2	1000	-06	2	90
<b>FN 285-1-06</b>	1 (1.2)	373	7.5		220	2.2	1000	-06	1	90
<b>FN 285-2-06</b>	2 (2.4)	373	2		220	2.2	1000	-06	1	90
<b>FN 285-4-06</b>	4 (4.8)	373	1		220	2.2	1000	-06	1	90
<b>FN 285-6-06</b>	6 (7.2)	373	0.45		220	2.2	1000	-06	1	90
<b>FN 285-10-06</b>	10 (11.6)	373	0.34		220	2.2	1000	-06	1	90
<b>FN 286-1-06</b>	1 (1.2)	373	7.5		220	2.2	1000	-06	2	90
<b>FN 286-2-06</b>	2 (2.4)	373	2		220	2.2	1000	-06	2	90
<b>FN 286-4-06</b>	4 (4.8)	373	1		220	2.2	1000	-06	2	90
<b>FN 286-6-06</b>	6 (7.2)	373	0.45		220	2.2	1000	-06	2	90
<b>FN 286-10-06</b>	10 (11.6)	373	0.34		220	2.2	1000	-06	2	90
<b>FN 283 E-1-06</b>	1 (1.2)	373	7.5	0.4	220	2.2	1000	-06	1	100
<b>FN 283 E-2-06</b>	2 (2.4)	373	2	0.4	220	2.2	1000	-06	1	100
<b>FN 283 E-4-06</b>	4 (4.8)	373	1	0.4	220	2.2	1000	-06	1	100
<b>FN 283 E-6-06</b>	6 (7.2)	373	0.45	0.4	220	2.2	1000	-06	1	100
<b>FN 284 E-1-06</b>	1 (1.2)	373	7.5	0.4	220	2.2	1000	-06	2	100
<b>FN 284 E-2-06</b>	2 (2.4)	373	2	0.4	220	2.2	1000	-06	2	100
<b>FN 284 E-4-06</b>	4 (4.8)	373	1	0.4	220	2.2	1000	-06	2	100
<b>FN 284 E-6-06</b>	6 (7.2)	373	0.45	0.4	220	2.2	1000	-06	2	100
<b>FN 282 B-1-06</b>	1 (1.2)	2	7.5		220		1000	-06	2	90
<b>FN 282 B-2-06</b>	2 (2.4)	2	2		220		1000	-06	2	90
<b>FN 282 B-4-06</b>	4 (4.8)	2	1		220		1000	-06	2	90
<b>FN 282 B-6-06</b>	6 (7.2)	2	0.45		220		1000	-06	2	90
<b>FN 282 B-10-06</b>	10 (11.6)	2	0.34		220		1000	-06	2	90

\* Maximum leakage under normal operating conditions. Note: if the neutral line is interrupted, worst case leakage could reach twice this level.

\*\* Tolerances apply: Inductance: -30/+50%, Capacitance: ±20%, Resistance: ±10%

\*\*\* Filters are delivered without fuse.

Filter	Rated current @ 40°C (25°C) [A]	Leakage current* @ 230 VAC/50 Hz [µA]	Inductance**		Capacitance**		Resistance** R [kΩ]	Output connections	Fuses*** [Qty]	Weight [g]
			L1 [mH]	L2 [mH]	Cx [nF]	Cy [nF]				
FN 284 B-1-06	1 (1.2)	2	7.5		220		1000	-06	2	90
FN 284 B-2-06	2 (2.4)	2	2		220		1000	-06	2	90
FN 284 B-4-06	4 (4.8)	2	1		220		1000	-06	2	90
FN 284 B-6-06	6 (7.2)	2	0.45		220		1000	-06	2	90
FN 284 B-10-06	10 (11.6)	2	0.34		220		1000	-06	2	90
FN 286 B-1-06	1 (1.2)	2	7.5		220		1000	-06	2	90
FN 286 B-2-06	2 (2.4)	2	2		220		1000	-06	2	90
FN 286 B-4-06	4 (4.8)	2	1		220		1000	-06	2	90
FN 286 B-6-06	6 (7.2)	2	0.45		220		1000	-06	2	90
FN 286 B-10-06	10 (11.6)	2	0.34		220		1000	-06	2	90

\* Maximum leakage under normal operating conditions. Note: if the neutral line is interrupted, worst case leakage could reach twice this level.

\*\* Tolerances apply: Inductance: -30/+50%, Capacitance: ±20%, Resistance: ±10%

\*\*\* Filters are delivered without fuse.

### Product selector

FN 28xx-yy-zz

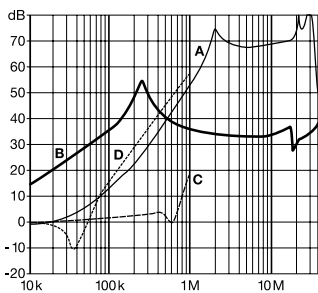
- 06: Faston 6.3 x 0.8mm (spade/soldering)
- 1 to 10: Rated current
- Blank: Standard version
- E: Optional earth line choke
- B: Medical version (with bleed resistor and without Y2-capacitor)
- 1: Flange mounting version top/bottom, single-fuse
- 2: Flange mounting version top/bottom, dual-fuse
- 3: Flange mounting version left/right, single-fuse
- 4: Flange mounting version left/right, dual-fuse
- 5: Snap-in version, single-fuse
- 6: Snap-in version, dual-fuse

For example: FN 281-6-06, FN 283 B-04-06, FN 283 E-1-06

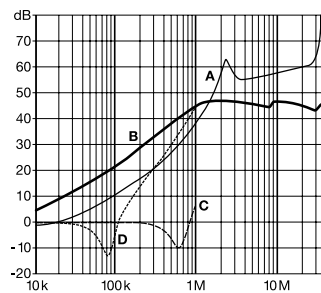
### Typical filter attenuation

Per CISPR 17; A=50 Ω/50 Ω sym; B=50 Ω/50 Ω asym; C=0.1 Ω/100 Ω sym; D=100 Ω/0.1 Ω sym

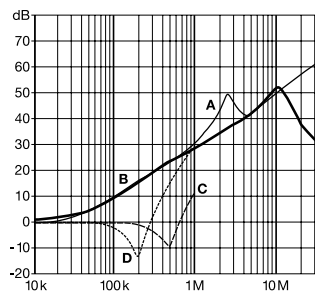
1 A types



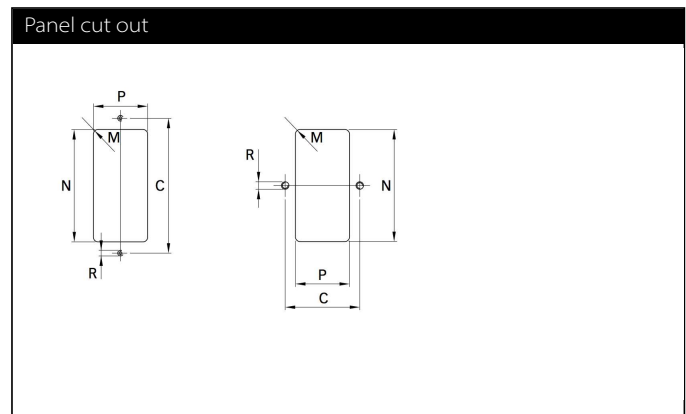
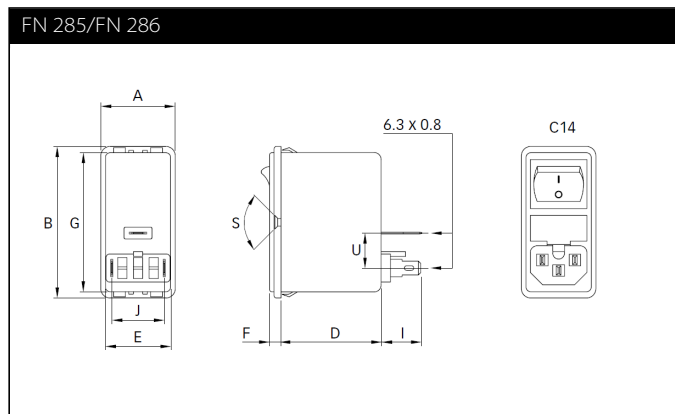
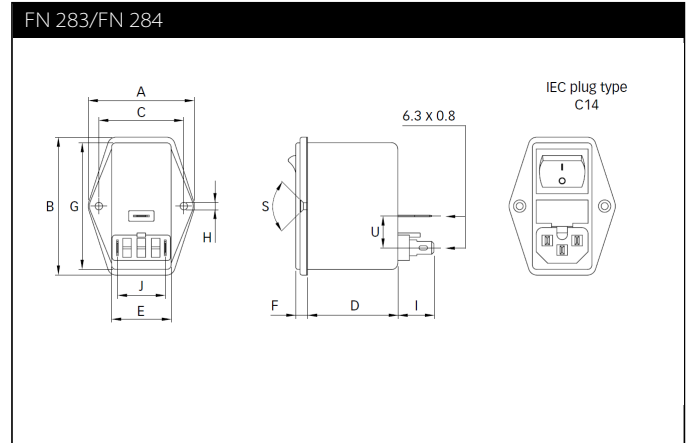
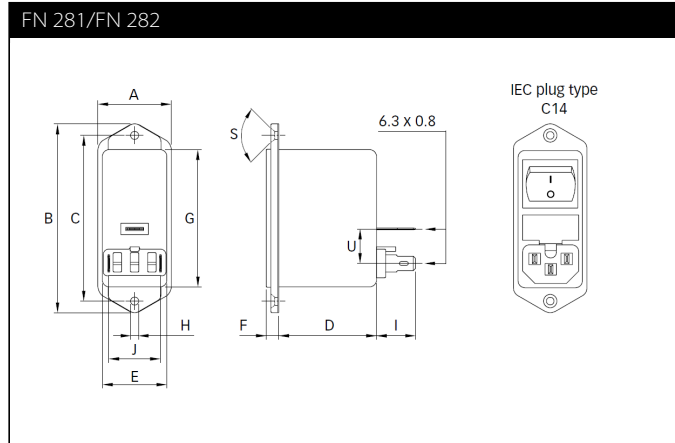
2 to 6 A types



10 A types



## Mechanical data



## Dimensions

	FN 281	FN 282	FN 283	FN 284	FN 285	FN 286	Tolerances
<b>A</b>	32	32	50	50	32	32	±0.3
<b>B</b>	82	82	65	65	65	65	±0.3
<b>C</b>	72	72	40	40			±0.1
<b>D</b>	43.1	43.1	43.1	43.1	43.6	43.6	±0.3
<b>E</b>	28.5	28.5	28.5	28.5	28.5	28.5	±0.25
<b>F</b>	5.5	5.5	5.5	5.5	5	5	±0.3
<b>G</b>	59.95 max.	59.95 max.	59.95 max.	59.95 max.	59.95 max.	59.95 max.	
<b>H</b>	Ø3.5	Ø3.5	Ø3.3	Ø3.3			
<b>I</b>	13.4	16.2	13.4	16.2	13.9	16.7	±0.3
<b>J</b>	22.5	22.5	22.5	22.5	22.5	22.5	
<b>M</b>	R ≤2.5	R ≤2.5	R ≤2.5	R ≤2.5	R ≤2.5	R ≤2.5	
<b>N</b>	60	60	60	60	61.5+0.2/-0*	61.5+0.2/-0*	+0.5/-0
<b>P</b>	29	29	29	29	29	29	+0.5/-0
<b>R</b>	M3	M3	M3	M3			
<b>S</b>	90°	90°	90°	90°			

\* For a panel thickness between 0.8 and 3 mm

All dimensions in mm; 1 inch = 25.4 mm  
Tolerances according: ISO 2768-m/EN 22768-m

Please visit [www.schaffner.com](http://www.schaffner.com) to find more details on filter connectors.



## Headquarters, global innovation and development

### Switzerland

#### Schaffner Group

Industrie Nord  
Nordstrasse 11e  
4542 Luterbach  
T +41 32 681 66 26  
[info@schaffner.com](mailto:info@schaffner.com)



## Sales and application centers

### China

#### Schaffner EMC Ltd. Shanghai

T20-3 C, No 565 Chuangye Road,  
Pudong district  
201201 Shanghai  
T +86 21 3813 9500  
[cschina@schaffner.com](mailto:cschina@schaffner.com)  
[www.schaffner.com.cn](http://www.schaffner.com.cn)

### Finland

#### Schaffner Oy

Sauvonrinne 19 H  
08500 Lohja  
T +358 50 468 7284  
[finlandsales@schaffner.com](mailto:finlandsales@schaffner.com)

### France

#### Schaffner EMC S.A.S.

16-20 Rue Louis Rameau  
95875 Bezons  
T +33 1 34 34 30 60  
F +33 1 39 47 02 28  
[francesales@schaffner.com](mailto:francesales@schaffner.com)

### Germany

#### Schaffner Deutschland GmbH

Schoemperlenstrasse 12B  
76185 Karlsruhe  
T +49 721 56910  
[germanysales@schaffner.com](mailto:germanysales@schaffner.com)

### India

#### Schaffner India Pvt. Ltd

REGUS WORLD TRADE CENTRE  
WTC, 22nd Floor Unit No 2238, Brigade  
Gateway Campus, 26/1, Dr. Rajkumar Road  
Malleshwaram (W)  
560055 Bangalore  
T +91 80 67935355  
[indiasales@schaffner.com](mailto:indiasales@schaffner.com)

### Italy

#### Schaffner EMC S.r.l.

Via Ticino, 30  
20900 Monza (MB)  
T +39 039 21 41 070  
[italysales@schaffner.com](mailto:italysales@schaffner.com)

### Japan

#### Schaffner EMC K.K.

Taiju-Seimei Sangenjaya Bldg.  
1-32-12, Kamiyuma, Setagaya-ku  
154-0011 Tokyo  
T +81 3 5712 3650  
F +81 3 5712 3651  
[japansales@schaffner.com](mailto:japansales@schaffner.com)  
[www.schaffner.jp](http://www.schaffner.jp)

### Singapore

#### Schaffner EMC Pte Ltd.

#05-09, Kg Ubi Ind. Estate  
408705 Singapore  
T +65 6377 3283  
F +65 6377 3281  
[singaporesales@schaffner.com](mailto:singaporesales@schaffner.com)

### Spain

#### Schaffner EMC España

Calle Caléndula 93, Miniparc III, Edificio E  
El Soto de Moraleja, Alcobendas  
28109 Madrid  
T +34 917 912 900  
F +34 917 912 901  
[spainsales@schaffner.com](mailto:spainsales@schaffner.com)

### Sweden

#### Schaffner EMC AB

Östermalmstorg 1  
114 42 Stockholm  
T +46 8 5050 2425  
[swedensales@schaffner.com](mailto:swedensales@schaffner.com)  
[www.schaffner.com](http://www.schaffner.com)

### Switzerland

#### Schaffner EMV AG

Industrie Nord  
Nordstrasse 11e  
4542 Luterbach  
T +41 32 681 66 88  
T +41 32 681 66 26  
[switzerlandsales@schaffner.com](mailto:switzerlandsales@schaffner.com)

### Taiwan

#### Schaffner EMV Ltd.

20 Floor-2, No 97, Section 1, XinTai 5th Road  
22175 XiZhi District New Taipei City 22175  
T +886 2 2697 5500  
F +886 2 2697 5533  
[taiwansales@schaffner.com](mailto:taiwansales@schaffner.com)  
[www.schaffner.com.tw](http://www.schaffner.com.tw)

### Thailand

#### Schaffner EMC Co. Ltd.

Northern Region Industrial Estate  
67 Moo 4 Tambon Ban Klang  
Amphur Muangng P.O. Box 14  
51000 Lamphun  
T +66 53 58 11 04  
F +66 53 58 10 19  
[thailandsales@schaffner.com](mailto:thailandsales@schaffner.com)

### United Kingdom

#### Schaffner Ltd.

1, Oakmede Place  
Binfield  
RG42 4JF Berkshire  
T +44 118 9770070  
F +44 118 9792969  
[uksales@schaffner.com](mailto:uksales@schaffner.com)

### USA

#### Schaffner EMC Inc.

52 Mayfield Avenue  
Edison, New Jersey  
T +1 732 225 9533  
F +1 732 225 4789  
[usasales@schaffner.com](mailto:usasales@schaffner.com)  
[www.schaffnerusa.com](http://www.schaffnerusa.com)

To find your local partner within Schaffner's global network: [www.schaffner.com](http://www.schaffner.com)

© 2021 Schaffner Group

The content of this document has been carefully checked and understood. However, neither Schaffner nor its subsidiaries assume any liability whatsoever for any errors or inaccuracies of this document and the consequences thereof. Published specifications are subject to change without notice. Product suitability for any area of application must ultimately be determined by the customer. In all cases, products must never be operated outside their published specifications. Schaffner does not guarantee the availability of all published products. This disclaimer shall be governed by substantive Swiss law and resulting disputes shall be settled by the courts at the place of business of Schaffner Holding AG. Latest publications and a complete disclaimer can be downloaded from the Schaffner website. All trademarks recognized.