

63994-1 ✓ ACTIVE

FASTON | FASTON 205

TE Internal #: 63994-1

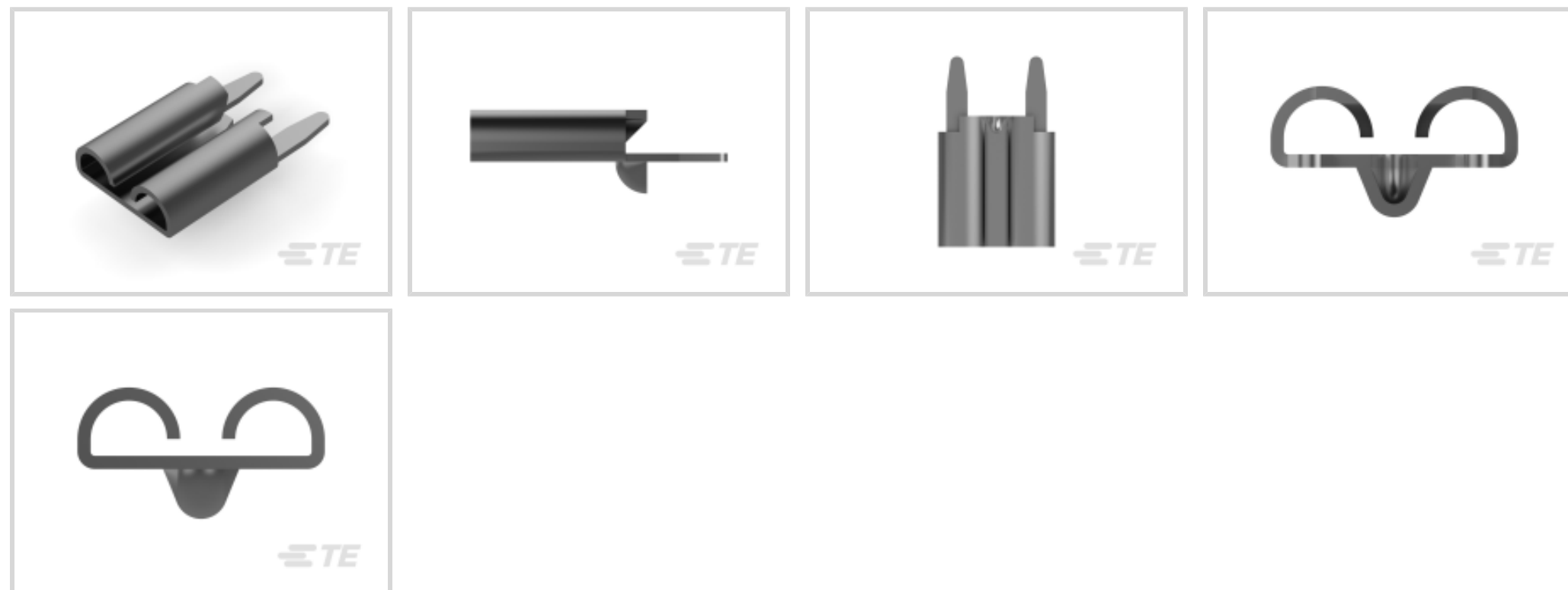
FASTON 205, PCB Terminals, Receptacle, Receptacle, PCB

Thickness (Recommended) 1.57 mm [.062 in]

[View on TE.com >](#)



Connectors > PCB Connectors > Wire-to-Board Connectors > PCB Terminals



Terminal & Splice Type: **Receptacle**

Terminal Type: **Receptacle**

PCB Thickness (Recommended): 1.57 mm [.062 in]

Mating Tab Width: 5.21 mm, 6.35 mm [.205 in, .25 in]

Mating Tab Thickness: .64 mm, .8 mm [.025 in, .031 in]

## Features

### Product Type Features

Insertion Force	Low
FASTON	No
Terminates To	Printed Circuit Board

### Configuration Features

Connection Capacity	Single
Stud Hole	No
Terminal Angle	Straight

### Body Features

Plating Thickness	2.54 µm[100 µin]
Plating Material	Tin

### Contact Features

Contact Plating Material	Tin
Terminal & Splice Type	Receptacle
Terminal Type	Receptacle



Underplating Material	Nickel
Terminal Size	5.2, 6.35
Terminal Orientation	Straight

#### Termination Features

Termination Method	Through Hole - Solder
--------------------	-----------------------

#### Mechanical Attachment

Wire Insulation Support	Without
-------------------------	---------

#### Dimensions

PCB Thickness (Recommended)	1.57 mm [.062 in]
Mating Tab Width	5.21 mm, 6.35 mm [.205 in] [.25 in]
Mating Tab Thickness	.64 mm, .8 mm [.025 in] [.031 in]
PCB Hole Diameter	1.4 mm [.055 in]
Height Above PC Board	8.38 mm [.334 in]
Receptacle Terminal Stock Thickness	.41 mm [.016 in]
Extension Below Board	3.81 mm [.15 in]

#### Usage Conditions

Operating Temperature Range	-30 – 110 °C [-22 – 230 °F]
-----------------------------	-----------------------------

#### Packaging Features

Packaging Quantity	2800
Packaging Method	Reel

#### Other

Line	Budget
------	--------

#### Product Compliance

[For compliance documentation, visit the product page on TE.com>](#)

EU RoHS Directive 2011/65/EU	Compliant
EU ELV Directive 2000/53/EC	Compliant
China RoHS 2 Directive MIIT Order No 32, 2016	No Restricted Materials Above Threshold
EU REACH Regulation (EC) No. 1907/2006	Current ECHA Candidate List: JAN 2020 (205) Candidate List Declared Against: JAN 2020 (205) Does not contain REACH SVHC



EU REACH Regulation (EC) No. 1907/2006	Current ECHA Candidate List: JAN 2020 (205) Candidate List Declared Against: JAN 2020 (205)
Halogen Content	Low Halogen - Br, Cl, F, I < 900 ppm per homogenous material. Also BFR/CFR/PVC Free
Solder Process Capability	Wave solder capable to 240°C

Product Compliance Disclaimer

This information is provided based on reasonable inquiry of our suppliers and represents our current actual knowledge based on the information they provided. This information is subject to change. The part numbers that TE has identified as EU RoHS compliant have a maximum concentration of 0.1% by weight in homogenous materials for lead, hexavalent chromium, mercury, PBB, PBDE, DBP, BBP, DEHP, DIBP, and 0.01% for cadmium, or qualify for an exemption to these limits as defined in the Annexes of Directive 2011/65/EU (RoHS2). Finished electrical and electronic equipment products will be CE marked as required by Directive 2011/65/EU. Components may not be CE marked. Additionally, the part numbers that TE has identified as EU ELV compliant have a maximum concentration of 0.1% by weight in homogenous materials for lead, hexavalent chromium, and mercury, and 0.01% for cadmium, or qualify for an exemption to these limits as defined in the Annexes of Directive 2000/53/EC (ELV). Regarding the REACH Regulations, TE's information on SVHC in articles for this part number is still based on the European Chemical Agency (ECHA) 'Guidance on requirements for substances in articles' (Version: 2, April 2011), applying the 0.1% weight on weight concentration threshold at the finished product level. TE is aware of the European Court of Justice ruling of September 10th, 2015 also known as O5A (Once An Article Always An Article) stating that, in case of 'complex object', the threshold for a SVHC must be applied to both the product as a whole and simultaneously to each of the articles forming part of its composition. TE has evaluated this ruling based on the new ECHA "Guidance on requirements for substances in articles" (June 2017, version 4.0) and will be updating its statements accordingly.

### Compatible Parts



TE Model / Part # CAT-P100  
P100 PIN INSERTION MACHINE



TE Model / Part # CAT-P300  
P300 PIN INSERTION MACHINE

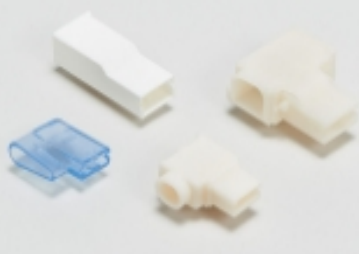


TE Model / Part # CAT-P360  
P360 PIN INSERTION MACHINE




TE Model / Part # CAT-P550  
P550 PIN INSERTION MACHINE

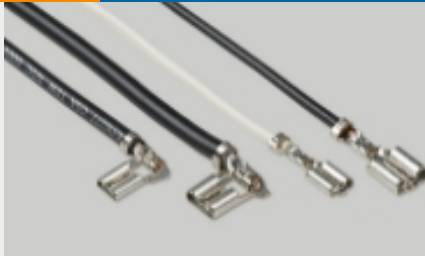
### Also in the Series | FASTON 205



Crimp Terminal Housings(3)

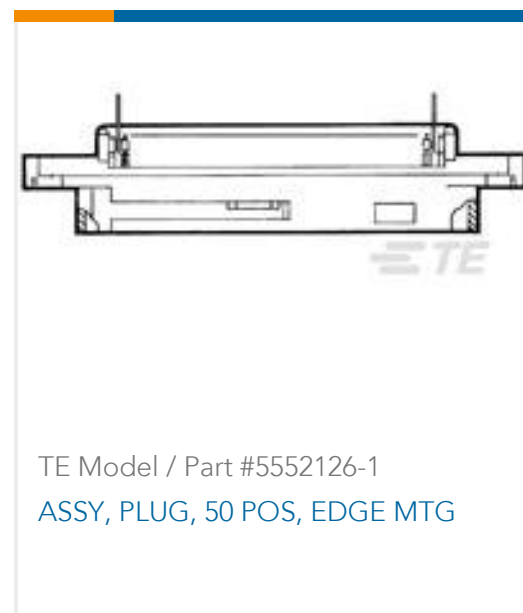
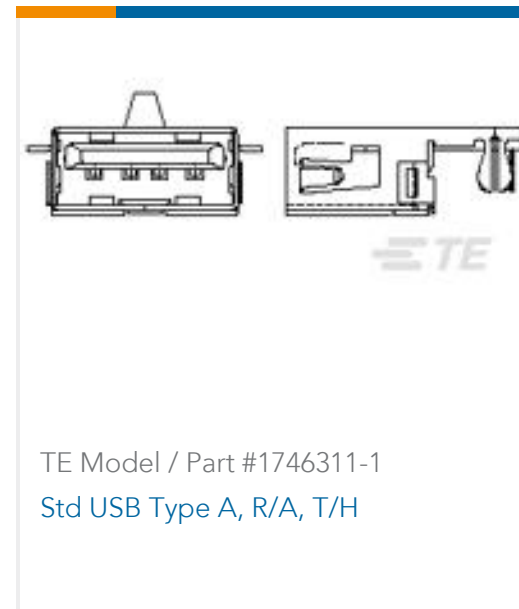
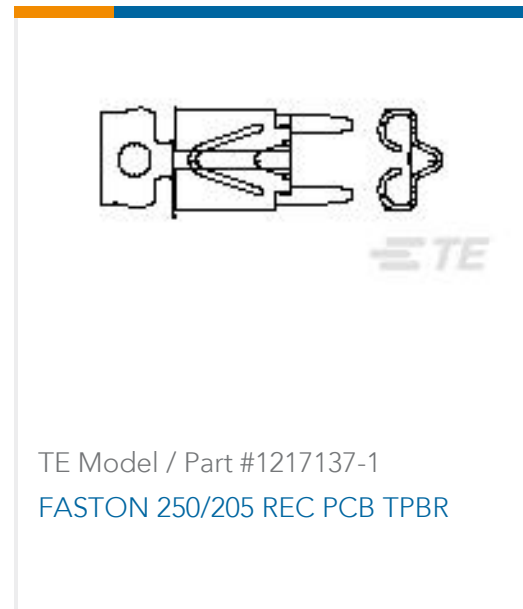


PCB Terminals(11)



Quick Disconnects(39)

### Customers Also Bought



## Documents

### Product Drawings

#### FASTON 205/250 PCB MOUNTED TPBR

English

### CAD Files

#### 3D PDF

3D

#### Customer View Model

[ENG\\_CVM\\_CVM\\_63994-1\\_F.2d\\_dxf.zip](#)

English

#### Customer View Model

[ENG\\_CVM\\_CVM\\_63994-1\\_F.3d\\_igs.zip](#)

English

#### Customer View Model

[ENG\\_CVM\\_CVM\\_63994-1\\_F.3d\\_stp.zip](#)

English

By downloading the CAD file I accept and agree to the [Terms and Conditions](#) of use.

### Datasheets & Catalog Pages



## PRINTED CIRCUIT BOARD TERMINALS AND DISCONNECTS

English

### FASTON PCB Tabs and Receptacles

English

---

#### Product Specifications

##### Application Specification

English

##### Application Specification

English

---

#### Product Environmental Compliance

##### MD\_63994-1\_040220172343\_dmtec

English

##### MD\_63994-1\_040220172343\_dmtec

English